

# 2" Round or Square Type IC, Air-tight New Construction Adjustable LED Housing

E2\_-\_I\_- 1.7

## VISUAL COMFORT & Co.

ARCHITECTURAL COLLECTION

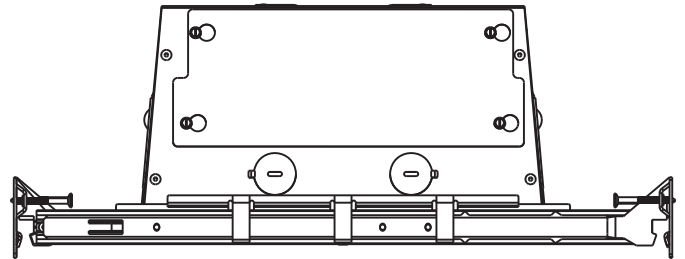
### GENERAL PRODUCT INFORMATION:



This product is suitable for indoor locations.

This product can be dimmed with a standard electronic dimmer.

This instruction shows a typical installation.

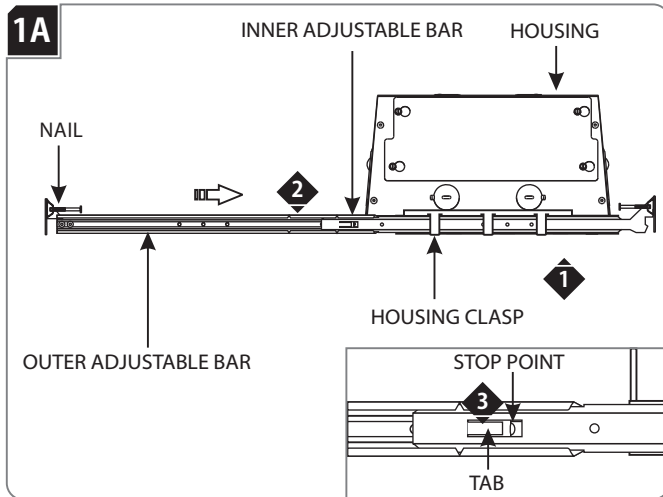


### CAUTION - RISK OF FIRE

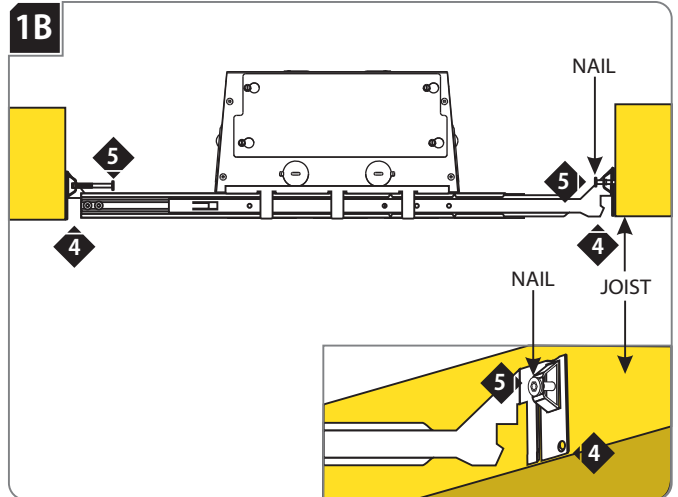
This product must be installed in accordance with the applicable installation code by a person familiar with the construction and operation of the product and the hazards involved.

**Use minimum 90°C supply conductors.**

### Install the Housing with Adjustable Bars



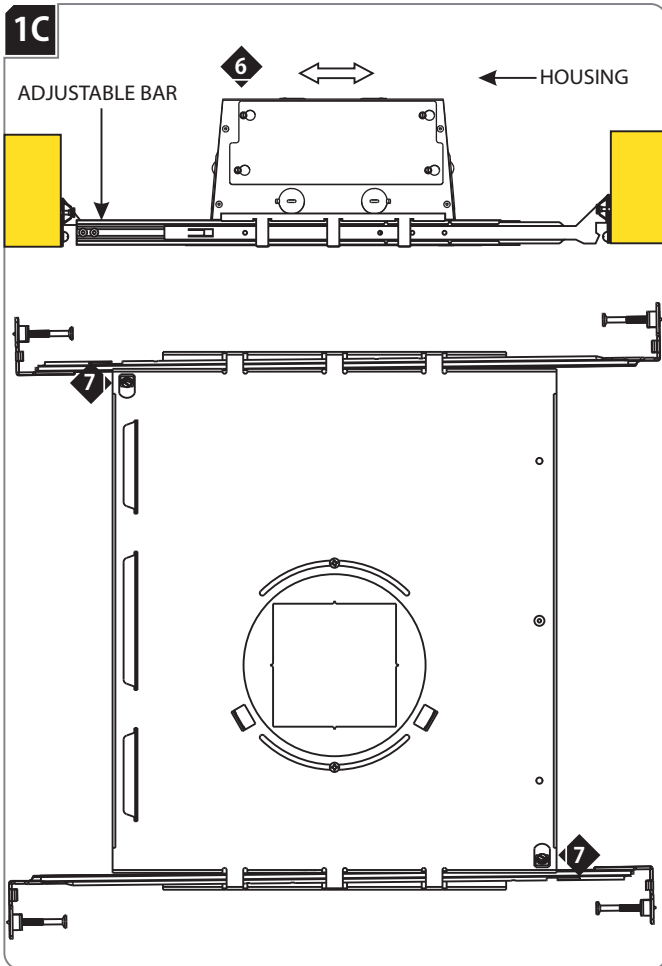
- 1 Slide the inner adjustable bar completely through the three housing clasps. Make sure the nail is on top.
- 2 Slide and push the outer adjustable bar completely onto the inner adjustable bar so that the tab clicks into place behind the stop point. This will prevent the adjustable bars from coming apart.
- 3 Repeat steps 2 & 3 for the other side of the housing.



**NOTE:** The adjustable bars can be mounted to joists that are spaced 16" - 24" apart.

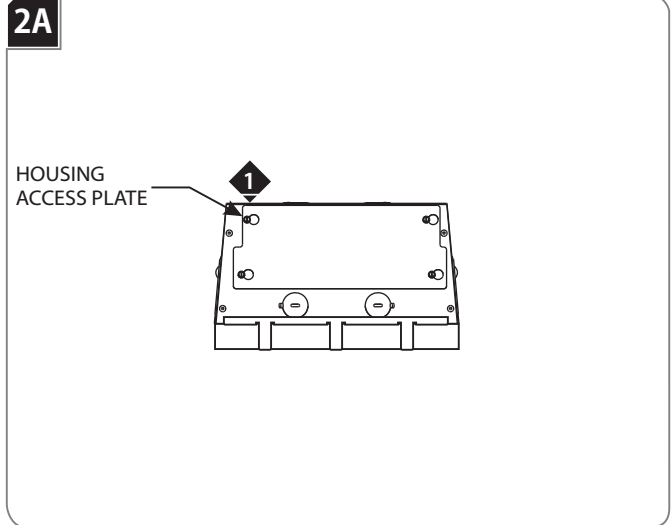
- 4 Align the bottom of the end plates with the bottom of the ceiling joists.
- 5 Level the adjustable bars and, with a hammer, tap the nails completely into the joists to secure the adjustable bars in place.

## Install the Housing with Butterfly Brackets



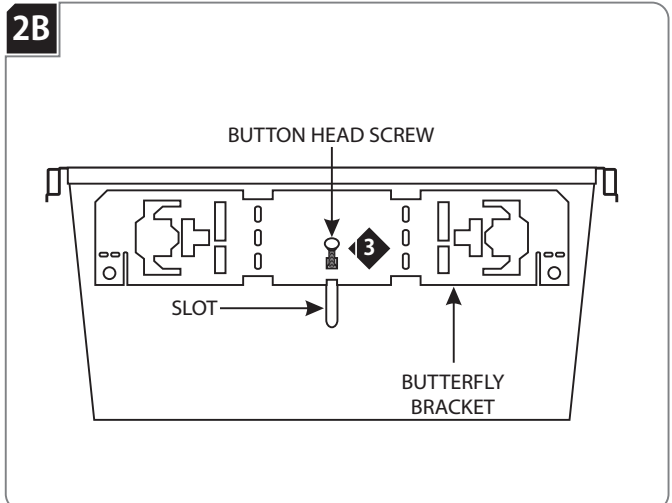
- 6 Adjust the housing position (horizontal position) by sliding the housing on adjustable bars.
- 7 When the desired location is achieved, tighten the two #6 self tapping screws to lock the housing onto the adjustable bars.

**NOTE:** See step 3 to align multiple housings using the notches.



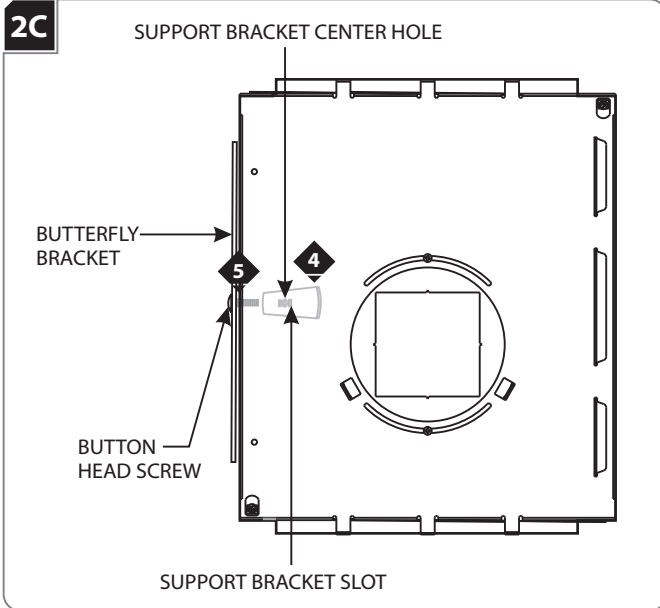
**NOTE:** Skip this section if installing the housing with adjustable bars.

- 1 Loosen (**Do not remove**) the four screws on the side panel.
- 2 Slide access plate over so that the screws fit in the larger opening of the keyholes and pull the plate straight out.

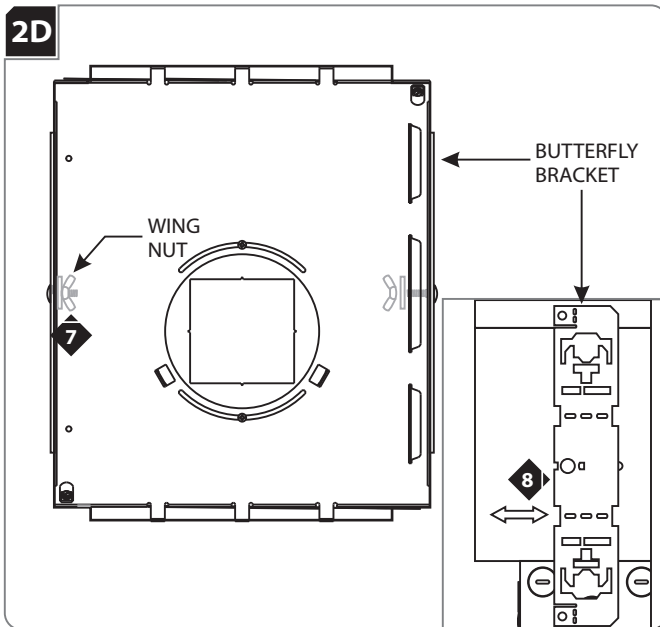


- 3 Place the button head screw through the square cut out of the butterfly bracket into the housing slot.

## Align Multiple Housings (Optional)

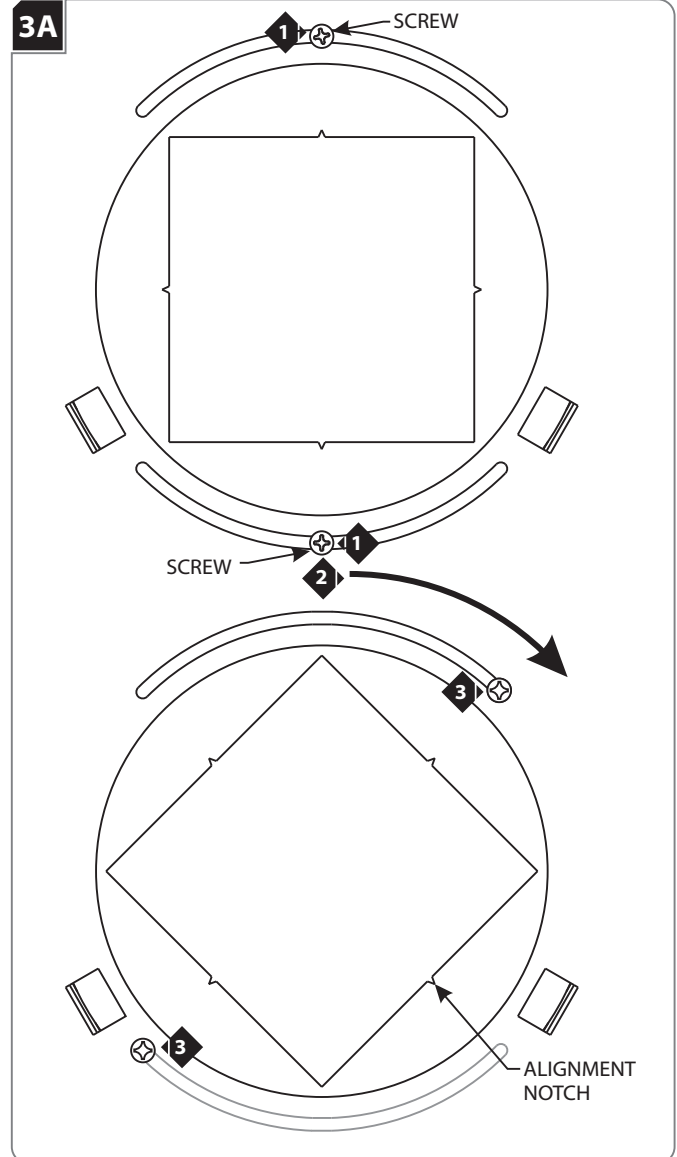


- 4 Place the support bracket center hole onto the button head screw.
- 5 Push the support bracket slots against the butterfly bracket tabs.



- 6 Attach the wing nut loosely to the button head screw.
- 7 Slide the butterfly bracket up or down to achieve the proper location. Tighten the wing nut to secure the butterfly bracket in place.
- 8 Repeat steps 3 through 7 on for the other butterfly bracket.
- 9 Utilize the butterfly brackets to install the housing in accordance with local electrical codes.

**NOTE:** Notches in trim holder can be used to align multiple housings using a laser or string.



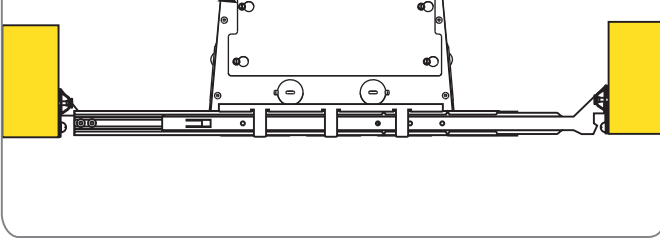
- 1 The alignment of the collars may be adjusted by using a phillips screw driver to loosen the two screws in the pan adapter.
- 2 Rotate the pan adapter (up to 45°) and align with other fixtures or square to the wall using the alignment notches in the pan adapter with a laser or string.
- 3 Re-tighten the two screws.

# Connect Power to the Housing

**NOTE:** For remote driver installation, skip to **step 5A**.

**4A**

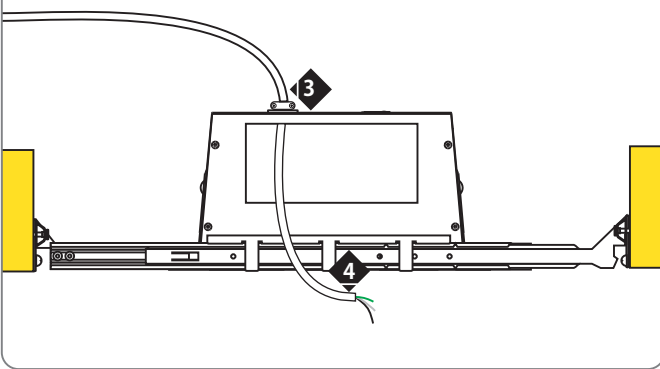
HOUSING ACCESS PLATE



- 1 Loosen (**Do not remove**) the four screws on the side panel.
- 2 Slide housing access plate over so that the screws fit in the larger opening of the keyholes and pull the plate straight out.

**4B**

## Install with Romex



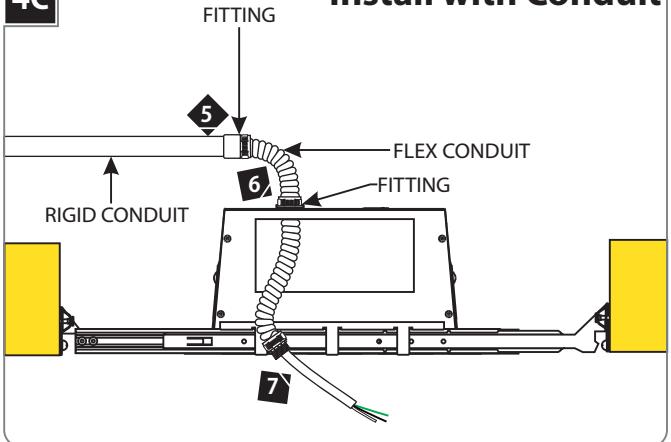
**NOTE:** When using Conduit this step is not necessary, skip ahead to **4C**.

- 3 Install the Romex to the housing using lowest knock-out possible to reduce visibility.
- 4 Leave an extra 12" service loop of field wires prior to termination at J-box.

**NOTE:** When a fixture is installed in a location that requires servicing from below the ceiling through the fixture aperture, the branch circuit connections need to be able to be brought out through the aperture. To accomplish this, an NM type cable in conjunction with snap-in/push-in connectors must be used and a 12" service loop must be left available outside of the fixture housing wiring compartment to allow additional branch circuit wiring to be pulled through the snap-in/push-in connector and extended out through the aperture below ceiling level.

**4C**

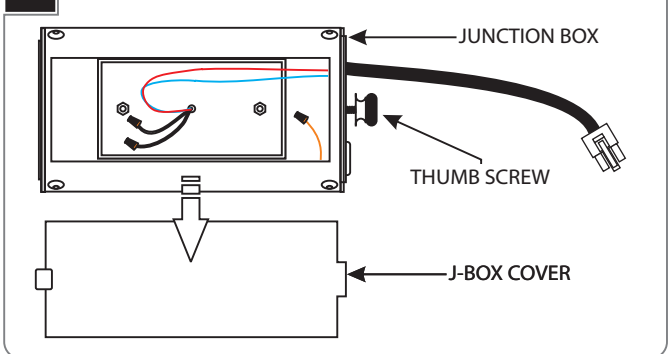
## Install with Conduit



**NOTE:** When using Romex this step is not necessary, skip ahead to **4D**.

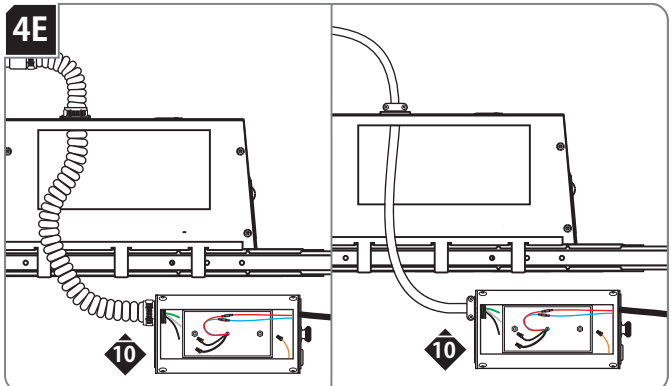
- 5 Bring rigid conduit to housing, leaving a few inches of room between the end of the conduit and the housing.
- 6 Connect provided flex conduit between the rigid conduit and the housing, leaving 12" of extra wire extending from the conduit into the housing.
- 7 Feed extra wire through provided flex conduit and secure the flex conduit to the housing using appropriate fittings.

**4D**



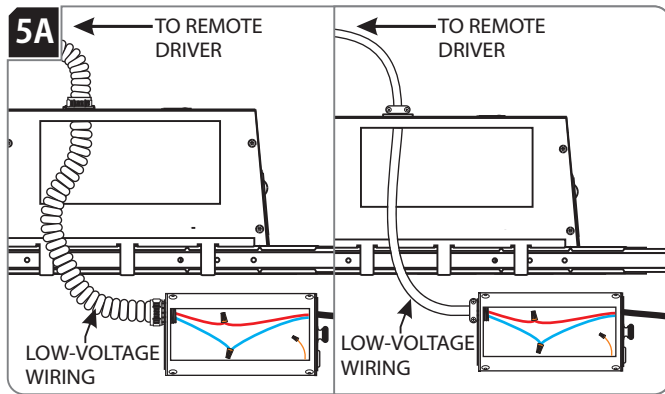
- 8 Open the junction box by loosening the thumb screw.
- 9 Pull up on the cover to remove it.

**4E**



- 10 Connect flexible conduit or Romex to junction box with the proper fitting.
- 11 Use the appropriate wiring diagram in Section 6 to wire your fixture accordingly.

## Connect Power to the Housing (Remote Driver Only)

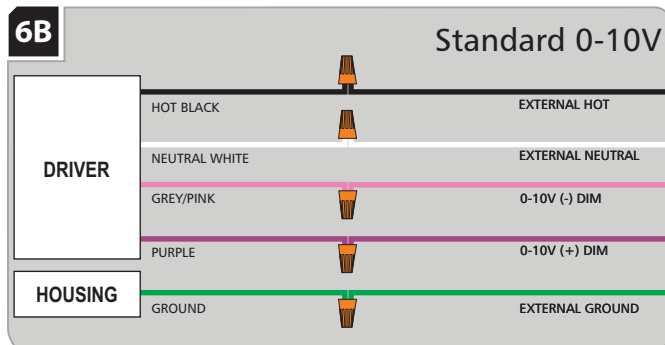
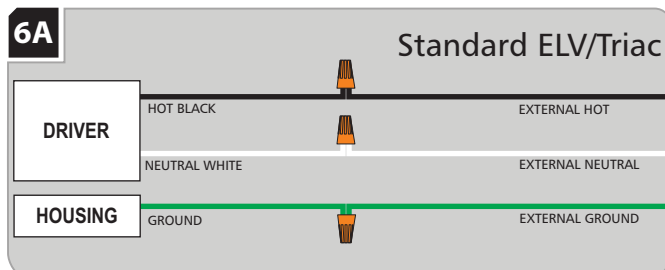


**NOTE:** For remote driver install only. Follow previous steps with the following exceptions.

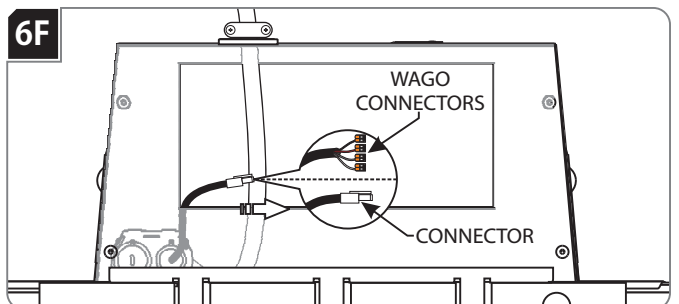
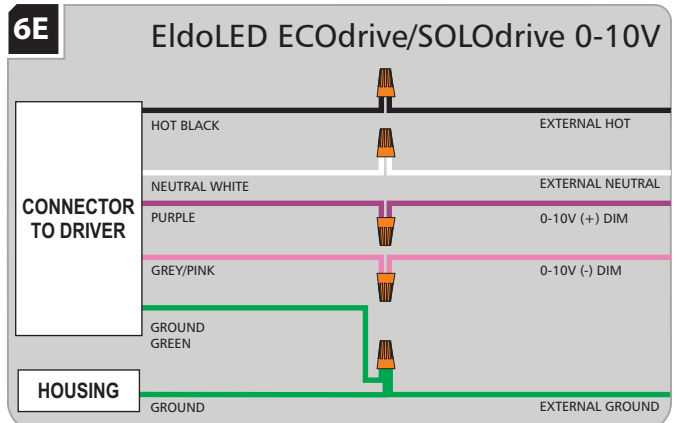
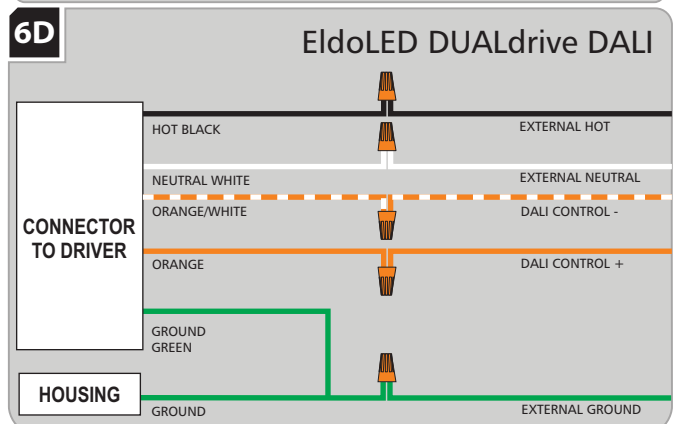
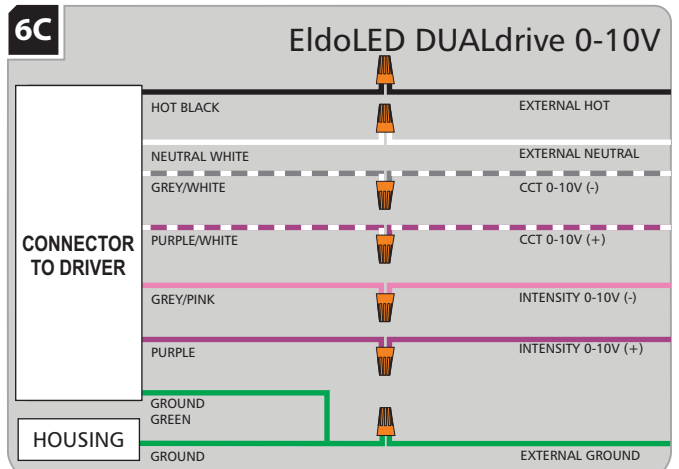
- 1 Mount driver in accordance with local codes and driver instructions.
- 2 Run wires in same manner as Romex install shown in steps 4B, 4D and 4E.
- 3 Use the appropriate wiring diagram in step 6 to wire your fixture accordingly.

Standard Driver Wiring	eldoLED Driver Wiring (Remote Driver Only)
ELV/Triac - 6A	DUALDRIVE - 6C
0-10V - 6B	DALI - 6D
	ECOdrive/SOLOdrive - 6E

## Standard Driver Wiring

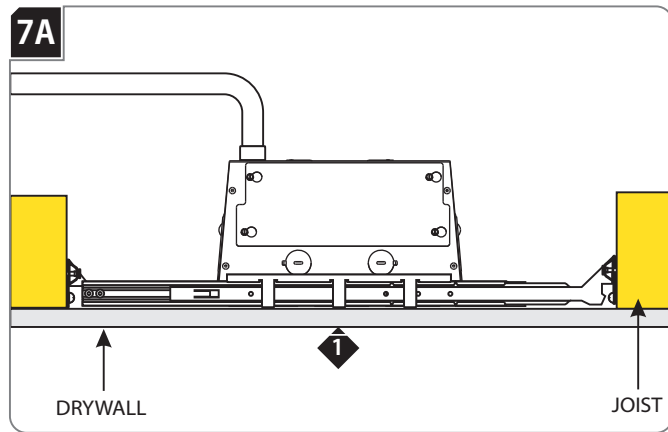


## EldoLED Tunable White Wiring (Remote Driver Only)



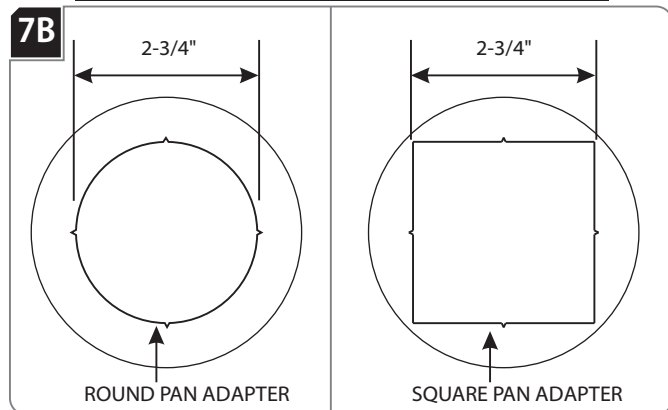
- 1 Use double sided tape provided to secure electrical box inside the housing next to the housing access plate.
- 2 Leave the connector or Wago connectors accessible for module installation after drywall installation has been completed.
- 3 Replace the housing access plate (Reversal of 4A).

## Install Drywall



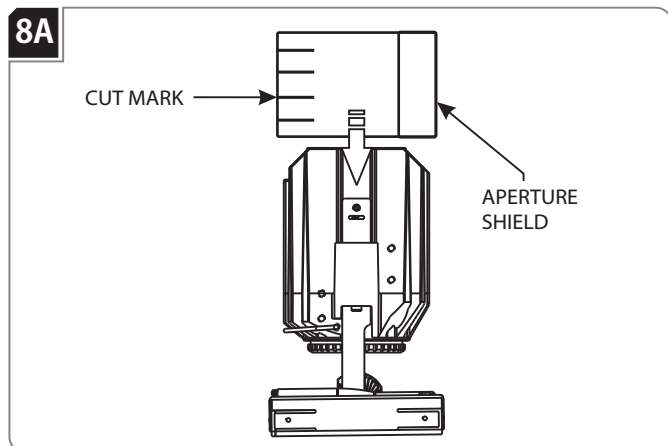
- 1 Install the drywall keeping note of the location of the housing's opening

**Note:** The fixture will accommodate a 3/8" to 2" ceiling thickness.



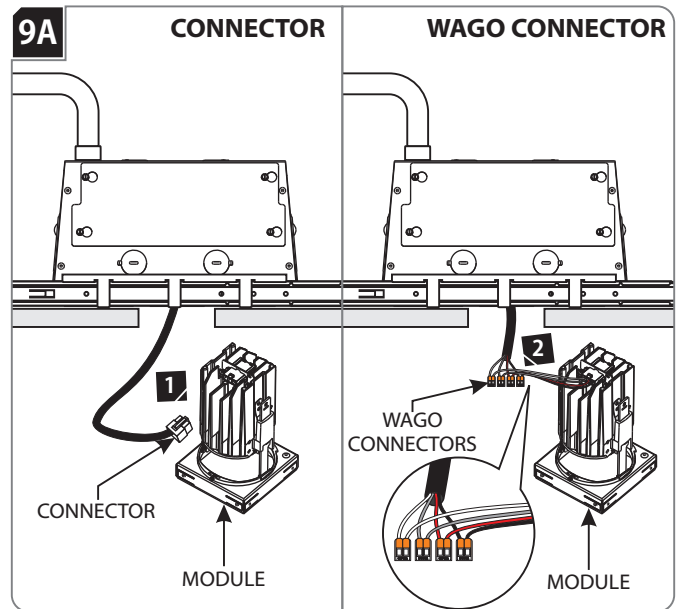
- 2 For round trims, mark the location of the 2-3/4" diameter circle on drywall. Use the inside edge of the housing pan adapter as a guide to cut the hole.  
For square trims, mark the location of the 2-3/4" square on drywall. Use the inside edge of the housing pan adapter as a guide to cut the hole.

## Install Aperture Shield

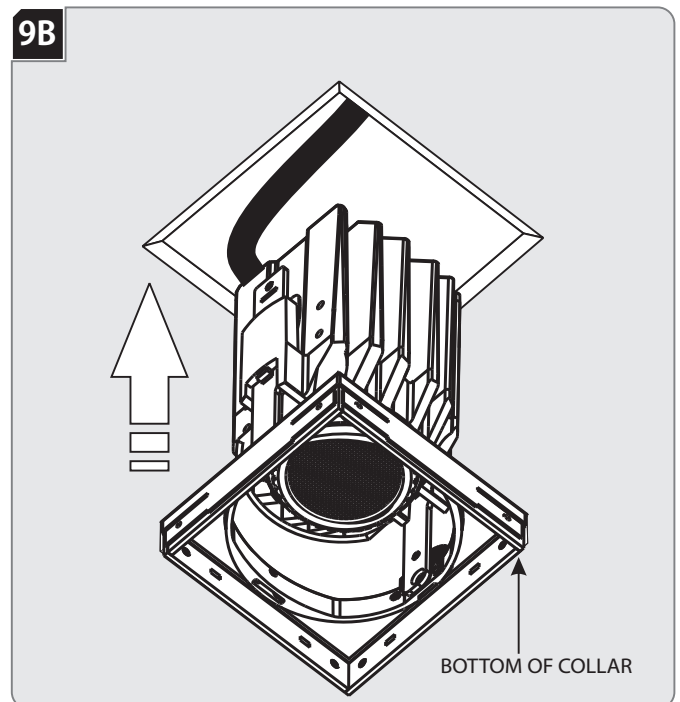


- 1 If using an aperture shield with a ceiling thicker than 1 inch, cut the shield on the marks based on your ceiling thickness.
- 2 Slide the aperture shield over the heat sink and rest it on the base ring.

## Install Module



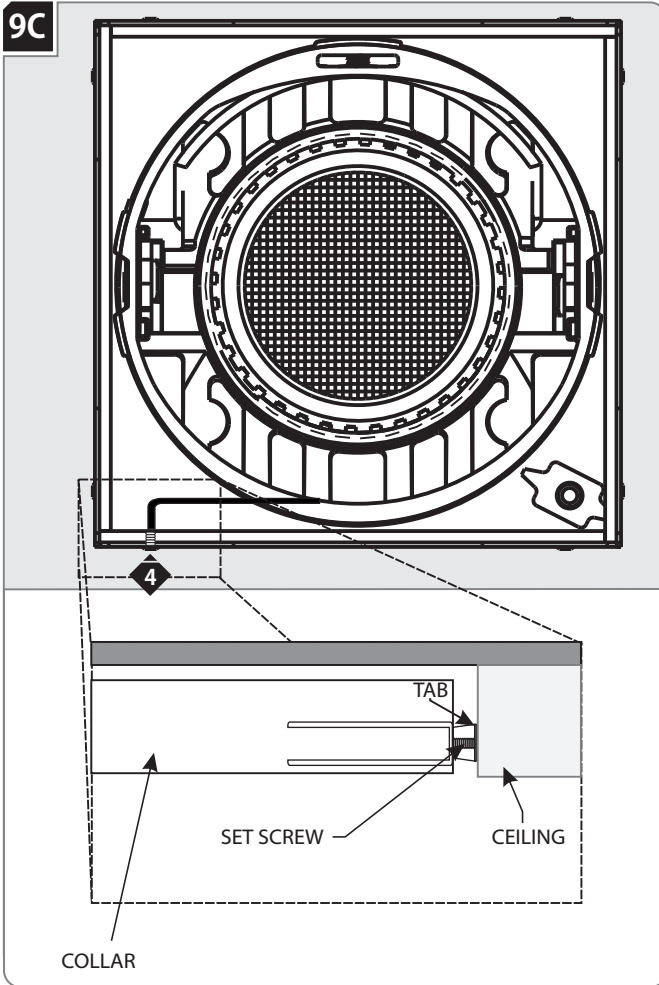
- 1 **For Connector:** Align the connector with the connector on the top of the heat sink on the module, then push the connector all the way into the module connector. **Skip to step 3.**
- 2 **For Wago Connector:** Connect each module wire to the corresponding Wago connector.



- 3 Push the module into the ceiling cut out until the bottom of the collar is flush with or slightly above the bottom of the ceiling.

**NOTE:** For flangeless versions push the module in until the mud plate is flush against the ceiling.

## Mud in the Plaster Plate (For Flangless Versions Only)



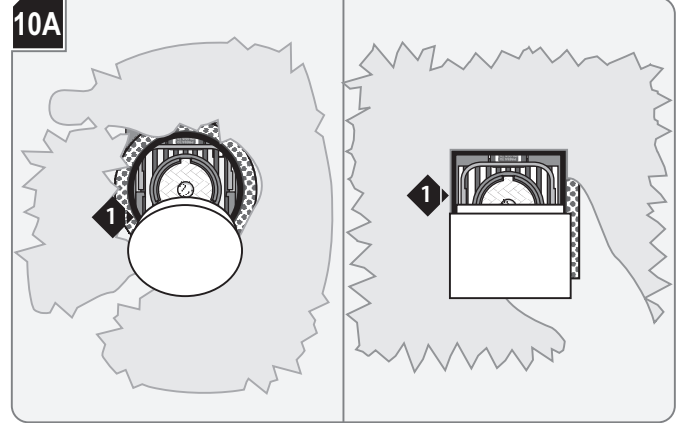
- 4 Use the provided Allen wrench and set screws to secure the collar to the ceiling, ensuring the screws are flush with the surface of the collar so they will not interfere with the trim installation.
- 5 Verify that the collar does not protrude below the ceiling using a straight edge. If so, loosen the set screws and adjust accordingly.

**NOTE:** Longer set screws have been provided for instances where the hole is cut too large.

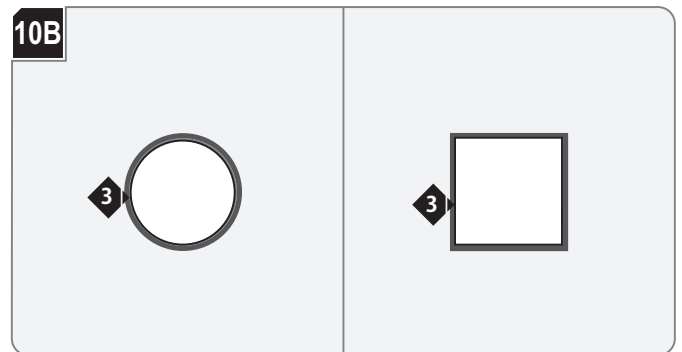
**Square** trims use 4 pre-installed set screws. (2 and 2 on opposite sides. 4 additional screws have been provided to add optional stability on all 4 sides if desired.)

**Round** trims use 3 set screws.

**NOTE:** For flanged versions skip ahead to section 11.

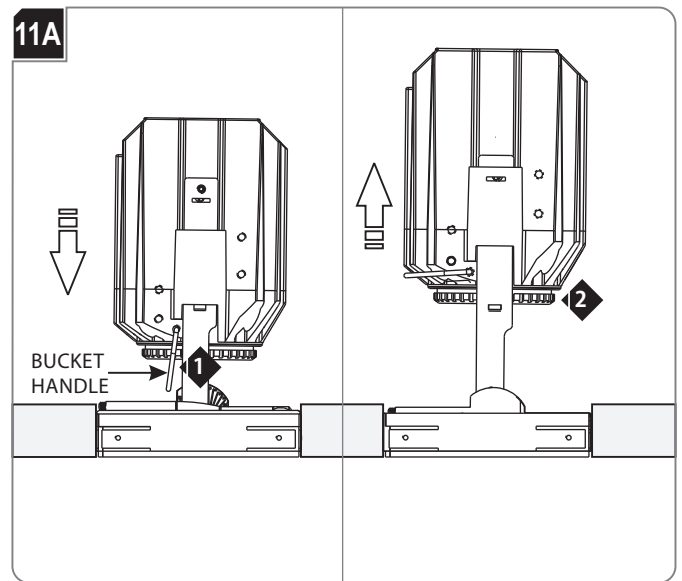


- 1 Plug the collar with the provided dust shield.
- 2 Properly plaster onto the plaster ring and drywall.



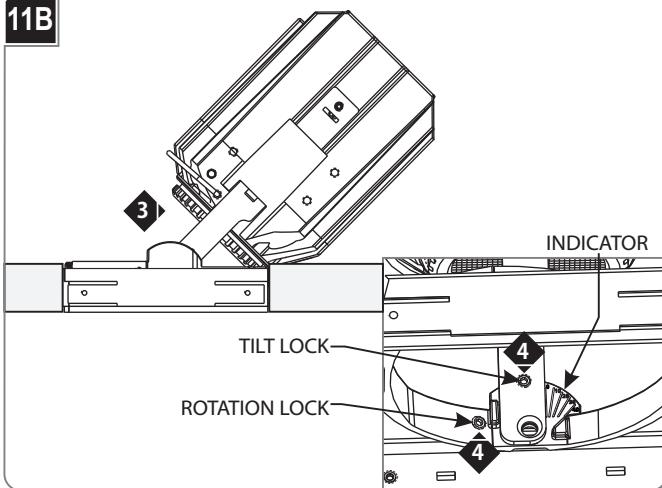
- 3 Finish around the collar to match drywall.

## Adjust the Lamp Position (Optional)



- 1 Pull down on the bucket handle to position the module in the low position.
- 2 Push up the LED and heat sink to position the module in the high position.

11B

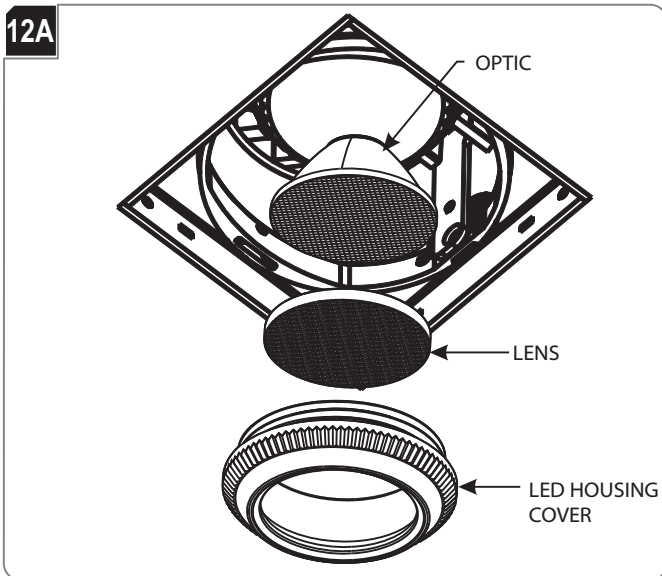


**NOTE:** Module can rotate 361° and tilt to 45°  
For proper wall wash positioning, tilt until 15° angle is reached.

- 3 Use hand to tilt and rotate the module to the desired position. Use the tilt indicator next to the support arm for a precise tilt angle.
- 4 Tighten the tilt and rotation locks with provided Allen key once desired positions have been reached. (Optional)

## Optics and Lenses

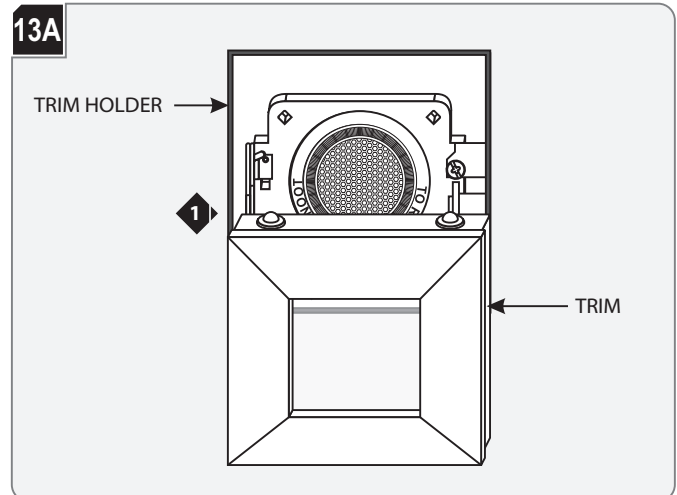
12A



- 1 Unscrew and remove the LED housing cover.
- 2 Remove the optic.
- 3 If installing an optional lens, rest the lens inside the housing cover.
- 4 Install the optic (replacement or existing) inside the LED housing cover.
- 5 Screw the LED housing cover back on leaving it less-than-snug. **Stop tightening the moment any resistance is felt. The cover will not sit flush to the base when using lenses. Do not try to force the cover to become flush.**

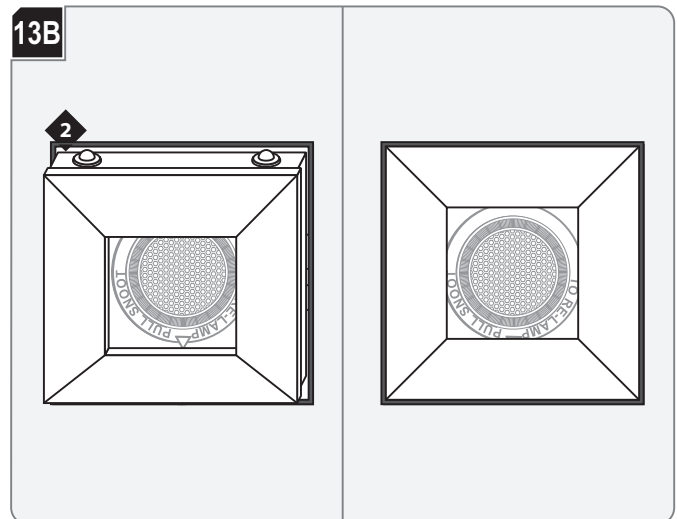
## Install the Trim

13A



- 1 Align the trim with the inner edge of the trim holder.

13B



- 2 Push the trim into the trim holder so that it snaps into place.

**NOTE:** Your trim may appear differently than the depicted trim. However, the process to install is the same for all standard trims.